

Ultrasonic Non-Contact Wall Thickness Scanner

For tubing and small pipe, wire and small diameter cable extrusions

The design of the UMAC[®] A5, A10 and A20 ultrasonic wall thickness scanner assemblies allow for true **non-contact wall thickness measurements** of:

- Tube
- Small pipe
- Wire insulation
- Jackets of small cables

Measuring close to the extruder (where the product orientation is stable and practically free from rotation) allows for quick and efficient centering. The results of any die adjustments are visible instantly, confirming to the operator that the actions taken, brought the results intended. **Start-up scrap is reduced to a minimum.**

The fast controller response, made possible by proximity to the extruder, will result in a **more uniform product**, keeping the extrudate within specifications, even during ramping phases.

Each scanner model is available in **two** versions:

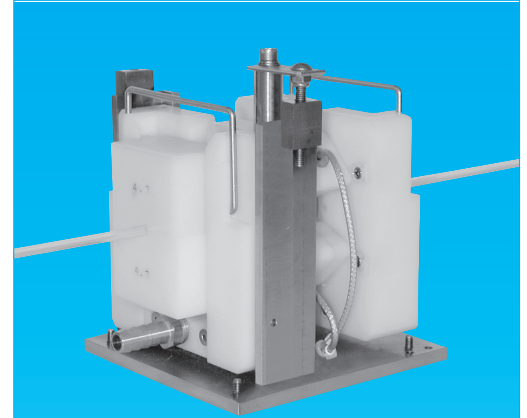
- **K version:** with height adjustment from above for open trough installation.
- **V version:** with height adjustment from outside of the vacuum tank.

The scanners are designed for easy incorporation into most vacuum tanks or open troughs. Built from resin (POM) and stainless steel, this compact scanner assembly is largely **maintenance free**. A height adjustment, accessible from the outside of the trough or vacuum tank, allows for **easy adjustment, confirmed by the live on screen positioning display**.

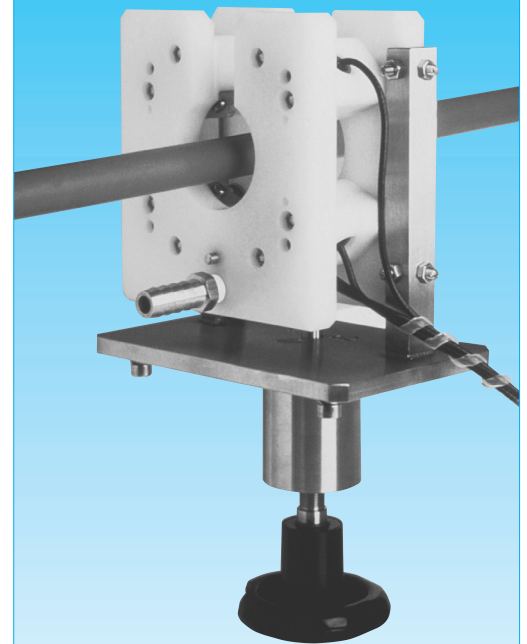
The scanner assembly is fully submerged in water. Each holder incorporates a simple, yet effective rinsing system, to keep the transducers free from impurities, deposits and air bubbles. The U-shaped design features an opening at the top, making it **easy to string up the product**.

The four measuring points are arranged at a 90° angle with a 45° offset from the vertical and horizontal planes, corresponding to the location of most extruder centering screws.

The scanner can be equipped with optional guide blocks to keep the product in the optimum measuring position at all times.



UMAC A5CF-4K-K



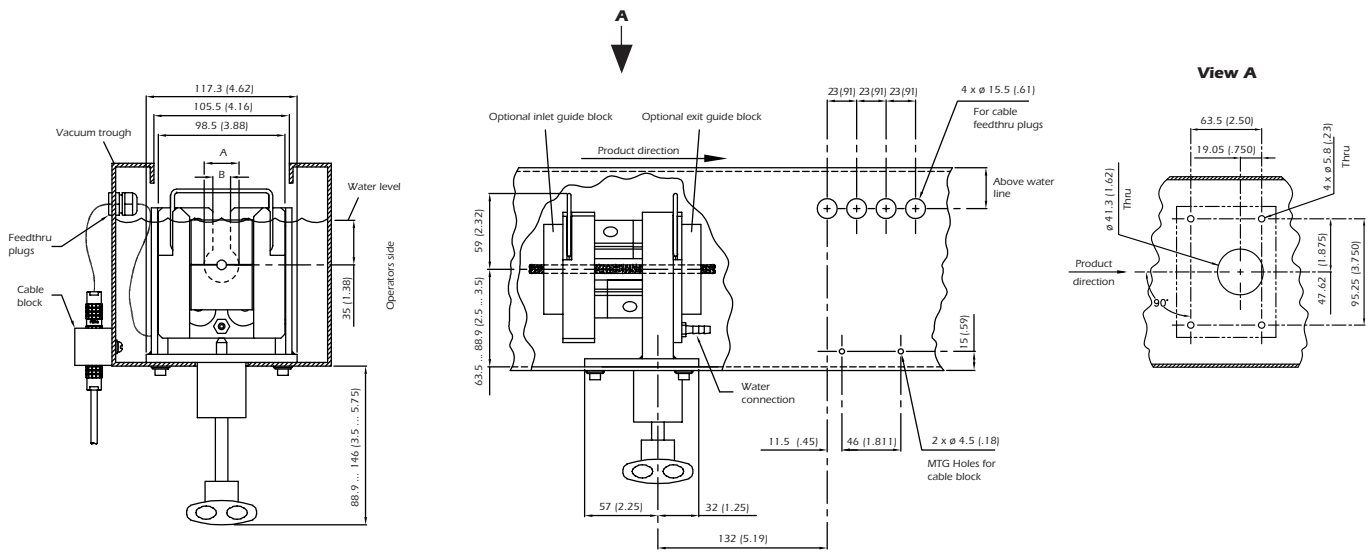
UMAC A10/20CF-4K-V

Scanner model	UMAC A5CF-4K		UMAC A10CF-4K		UMAC A20CF-4K	
	mm	inch	mm	inch	mm	inch
Product diameter range	0.2...5	.008... .2	1...10	.04... .4	6.4...20	.25... .78
Product clearance	26.5	1.04	29	1.14	37.4	1.47
Height adjustment range	± 12.7	± .5	± 12.7	± .5	± 12.7	± .5
Wall thickness range*	0.064...6.4	.0025... .25	0.13...6.4	.005... .25	0.13...6.4	.005... .25
Product position tolerance	± 1.3	± .052	± 1.9	± .75	± 1.9	± .75

* For PE, PVC and similar materials

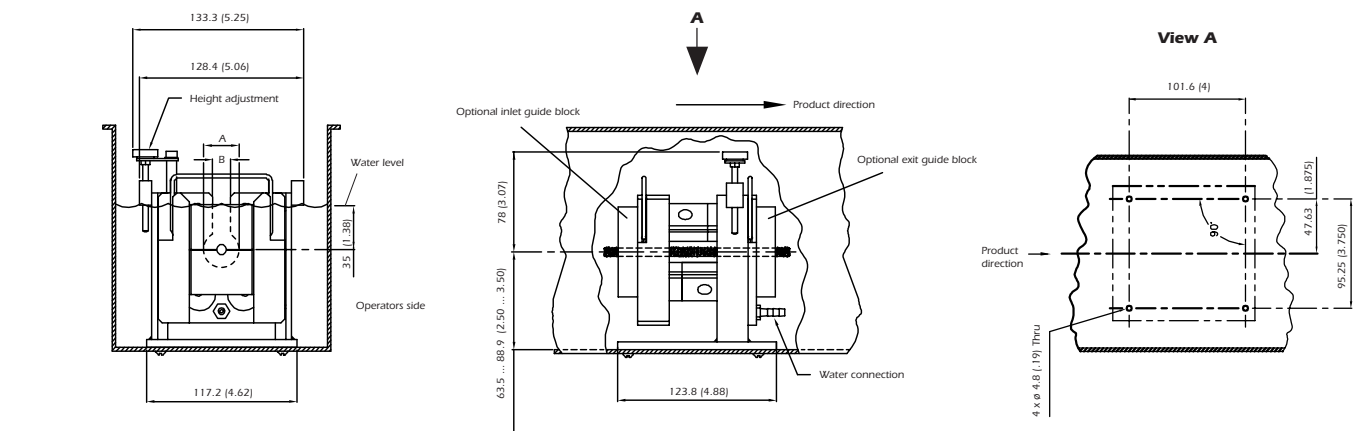
Overall dimensions for mounting into the trough

Vacuum trough mounting



A5CF-4K	A = 26.5 mm (1.04 in.) B = 11.0 mm (.43 in.)
A10CF-4K	A = 29.0 mm (1.14 in.) B = 12.0 mm (.46 in.)
A20CF-4K	A = 37.4 mm (1.47 in.) B = 17.7 mm (.70 in.)

Customer's trough (basin) mounting



A5CF-4K	A = 26.5 mm (1.04 in.) B = 11.0 mm (.43 in.)
A10CF-4K	A = 29.0 mm (1.14 in.) B = 12.0 mm (.46 in.)
A20CF-4K	A = 37.4 mm (1.47 in.) B = 17.7 mm (.70 in.)

Dimensions in mm (in.)

System Expansions

Zumbach manufactures a wide array of precision instruments for industrial applications.

- Measuring electronics and processors: UMAC®-OEM, UMAC®-8K, UMAC®-ECOWALL, UMAC®-CI/WALLMASTER, UMAC®-OEM/USYS 10000 etc.
- ODAC®/USYS Non-contact diameter measuring instruments for on-line or off-line use. These systems can provide you with flawless SQC/SPC reports on the final diameter of your product.
- ▶ For more details on UMAC® processors and ODAC®/USYS systems, please ask for the respective ZUMBACH documentation.

■ Technical specifications are subject to change without notice

Switzerland: ZUMBACH Electronic AG, P.O. Box, CH-2552 Orpund, Phone +41 (0)32 356 04 00, Fax +41 (0)32 356 04 30, E-Mail: sales@zumbach.ch
USA: ZUMBACH Electronics Corp., 140 Kisco Avenue, Mount Kisco, NY 10549-1407, Phone +1 914 241 7080, Fax +1 914 241 7096, E-Mail: sales@zumbach.com

www.zumbach.com