

UMAC® RZ65

For tube, hose, wire and cable insulation up to $\varnothing 65$ mm (2.5 in.) diameter.

These brand new UMAC® RZ scanners (pat. pend.) for ultrasonic measurement represent a smart and simple solution for in-line wall thickness measurement.

Measured data acquisition and processing takes place by means of the high-tech processor UMAC® CI from ZUMBACH. The operation and display is realized with USYS IPC WALLMASTER or higher-level systems such as host computers or PLC systems.

Many advantages

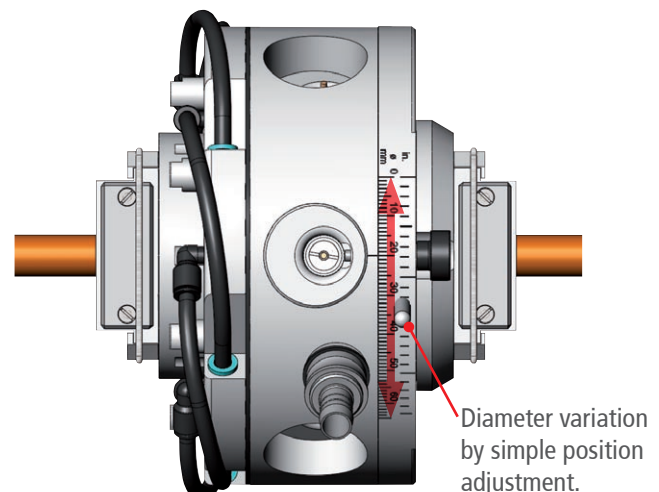
- Easy and simple handling – New product diameter adjustment takes just a few seconds
- Symmetrical positioning of all transducers, centrally adjustable
- Unique product guiding
- Autonomous operation, possible outside the cooling trough / water
- Large measuring range with the same scanner
- 100% manufactured from non-corrosive materials for maintenance-free, long-life operation under water

Numerous Benefits

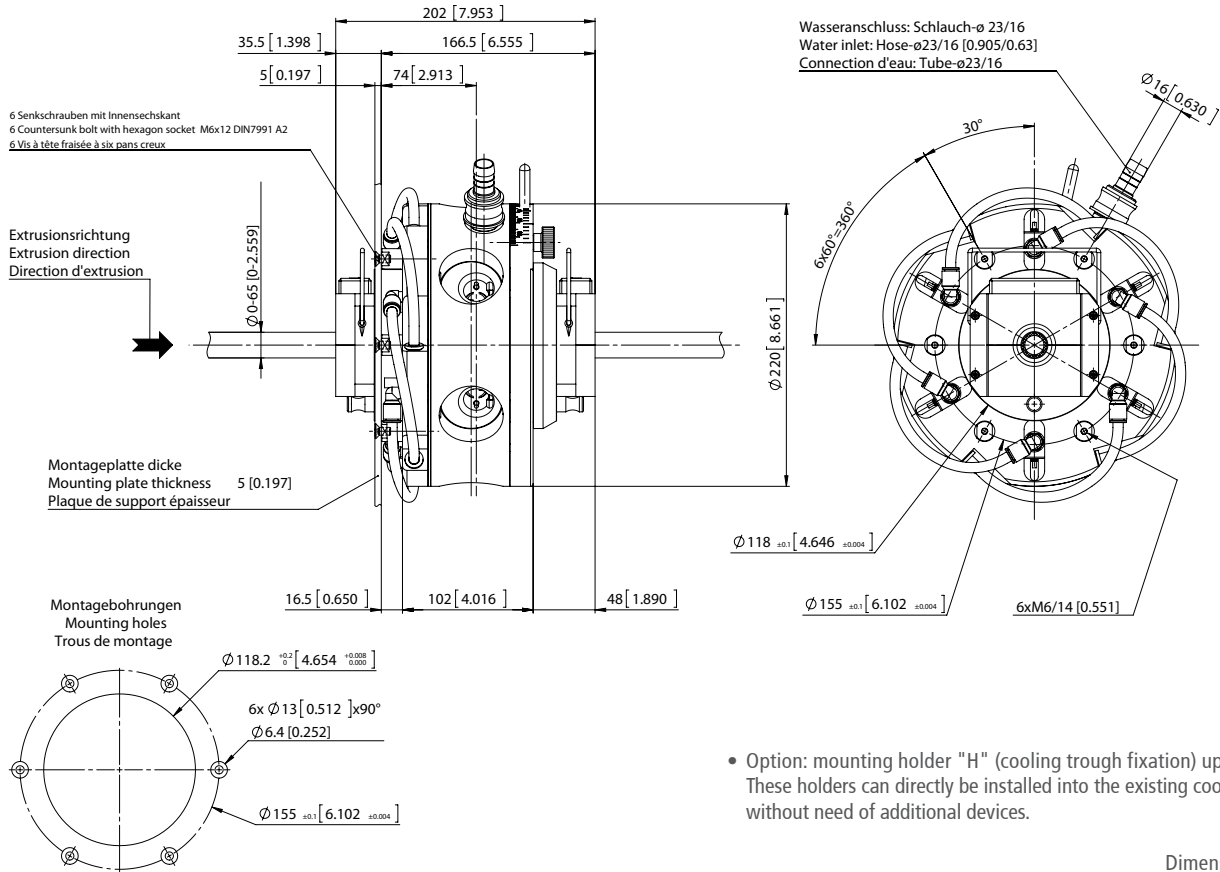
- Reduced start-up time thanks to early recognition of concentricity
- Important material savings
- Control of the minimum wall thickness
- Extremely compact, for installation into existing cooling trough
- Return on investment within few months

Adjusted within seconds

Thanks to the completely new construction (pat. pend.), the transducers can be synchronously adjusted to the best possible measuring position within seconds.



DIMENSIONS UMAC® RZ65-6K



TECHNICAL DATA

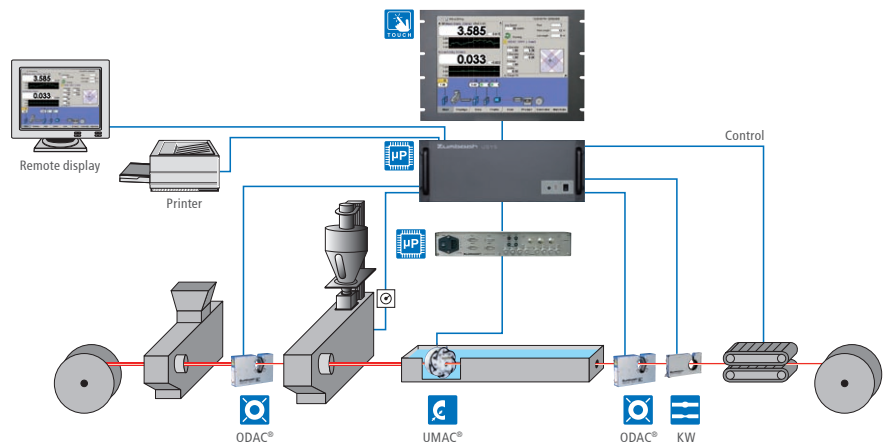
Scanner model	RZ65-4K ¹⁾	RZ65-6K
Data acquisition, processing and display systems	UMAC® CI, UMAC® CI B (WALLSTARTER, WALLMASTER)	
Diameter range	0 ... 65 mm (2.5 in.)	
Transducer	5, 10 MHz (other version on request)	
Max. water temperature	50° C (122° F)	
Weight (with transducers)	5.4kg (11.9lbs)	6.1kg (13.4lbs)

¹⁾ On request

• Technical specifications are subject to change without notice

SYSTEM EXPANSIONS

ZUMBACH manufactures a wide array of precision instruments for industrial applications. By means of further components, such as USYS IPC WALLMASTER processor and display units, ODAC® laser diameter scanners, KW fault detectors etc., a UMAC® WALLMASTER system can be extended for any case, for the highest possible productivity and product quality. These systems can provide you with flawless SQC/SPC reports of the final product.



► Please ask for detailed documentation of other ZUMBACH instruments.

Switzerland (H.Q.): ZUMBACH Electronic AG, P.O. Box, CH-2552 Orpund, Phone +41(0)32 356 04 00, Fax +41(0)32 356 04 30, E-Mail: sales@zumbach.ch
Switzerland • Argentina • Belgium • Brazil • China • France • Germany • India • Italy • Spain • Taiwan • United Kingdom • USA

www.zumbach.com