

## UMAC<sup>®</sup> A35PB-4K

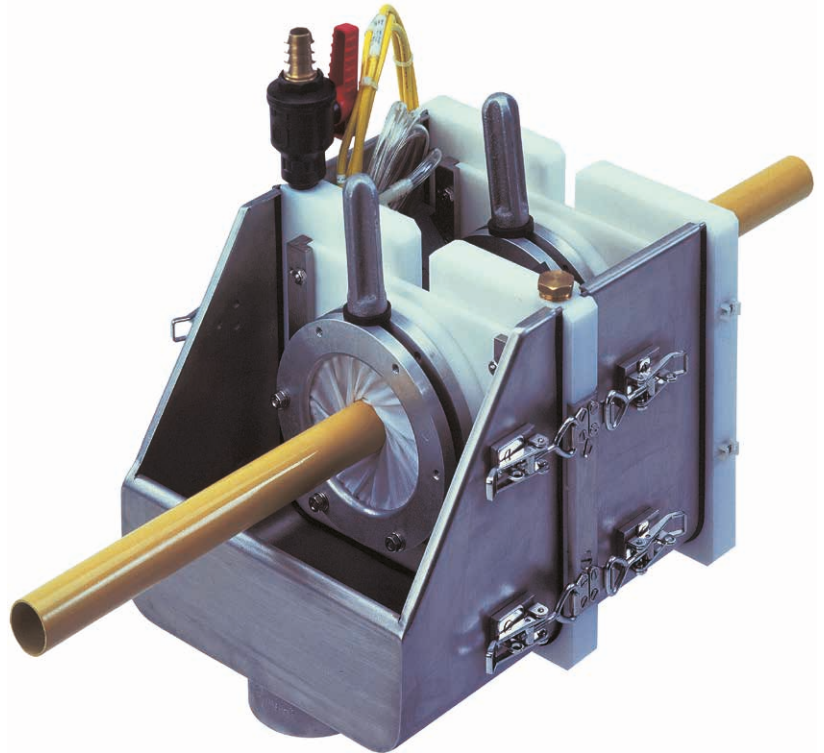
For plastic or elastomer extrusion of single conductors, small cables, pipes and tubing  
Up to  $\varnothing$ 35 mm (1.37 in.)

The unique design of the UMAC A35PB-4K ultrasonic wall thickness scanner offers true non-contact wall thickness measurements of insulated medium and large conductors, cable jackets, small pipes or tubes immediately after the extruder.

Measuring close to the extruder, where the product orientation is stable and free from rotation, allows for most efficient centering. The result of any die adjustments made will be displayed instantly representing a valuable guide for the operator. Start-up scrap is reduced to a minimum.

The quick controller response achieved by the close proximity to the extruder will keep the product within specifications during ramp-up and ramp-down phases. This rugged scanner includes a stainless steel water basin and is configured for easy installation onto the existing trough section. The water basin is conveniently held in place by latches and allows for quick removal for maintenance and cleaning purposes.

The transducer holders incorporate a simple yet effective rinsing system to keep the transducers free from impurities, deposits and air bubbles. The four measuring points are oriented at 90 angular degrees from each other with a 45 degree offset from the vertical and horizontal plane, which corresponds to the location of most extruder centering screws.



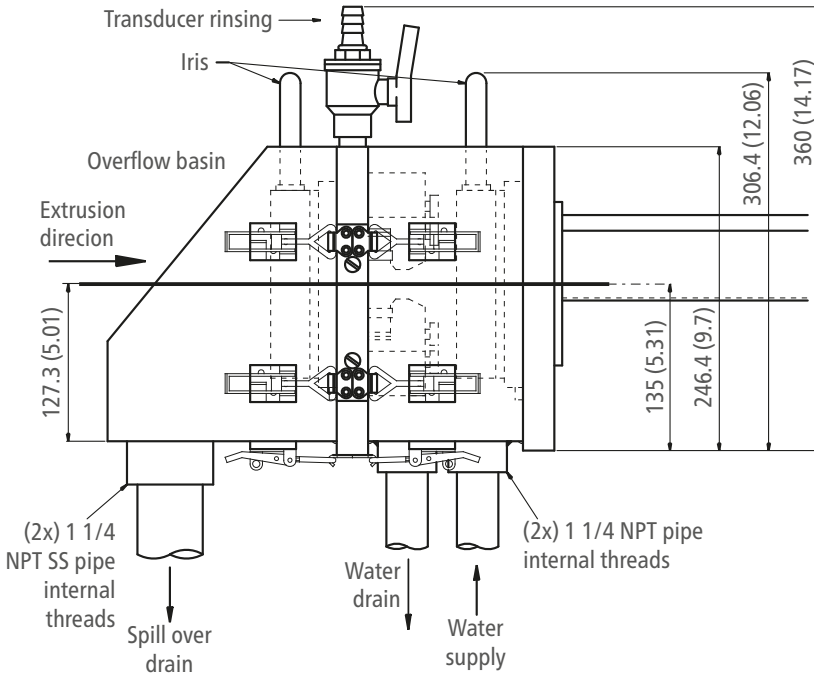
Specifications	
Product range (diameter)	5...35 mm (.2...1.37 in.)
Wall thickness range*	0.76...10 mm (.03... .4 in.)
Product clearance	63 mm (2.5 in.)
Max. water temperature	50 °C (122 °F)
Freedom of product position	+/- 12.7 mm (+/- .5 in.)

\* Based on hot measurement of PE, PVC and similar materials

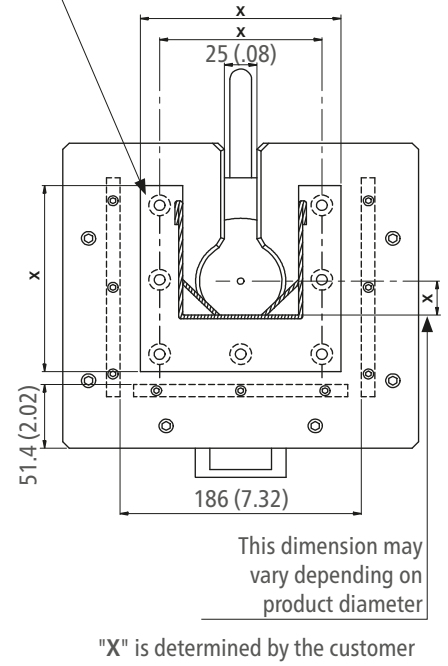
• Technical specifications are subject to change without notice

# DIMENSIONS

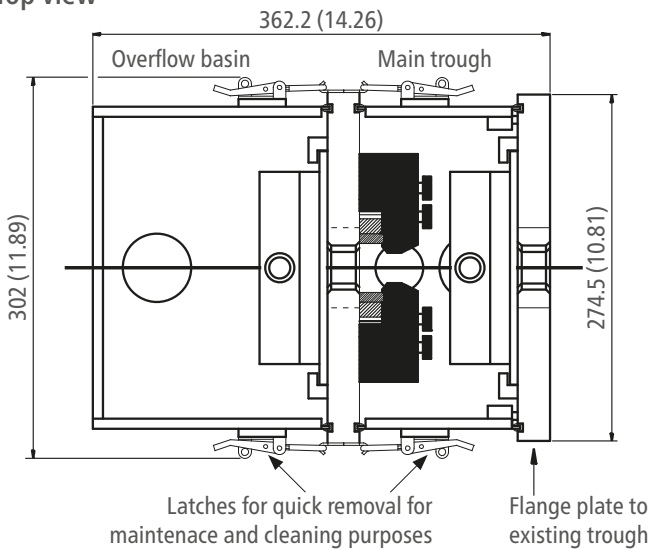
## Side view



## Cross section of cooling trough and flange plate



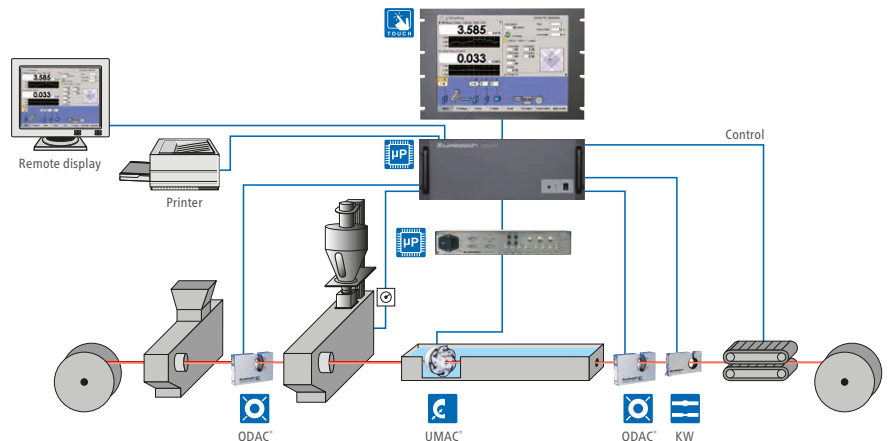
## Top view



Dimensions in mm (inch)

# SYSTEM EXPANSIONS

ZUMBACH manufactures a wide array of precision instruments for industrial applications. By means of further components, such as USYS IPC WALLMASTER processor and display units, ODAC laser diameter scanners, KW fault detectors etc., a UMAC WALLMASTER system can be extended for any case, for the highest possible productivity and product quality. These systems can provide you with flawless SQC /SPC reports of the final product.



► Please ask for detailed documentation of other ZUMBACH instruments.

Switzerland (H.Q.): ZUMBACH Electronic AG, P.O. Box, CH-2552 Orpund, Phone +41(0)32 356 04 00, Fax +41(0)32 356 04 30, E-Mail: sales@zumbach.ch  
 Switzerland • Belgium • China • France • Germany • India • Italy • Spain • Taiwan • United Kingdom • USA

www.zumbach.com

